



# T-Series Precision Linear Actuators

## Installation and Service Manual

DW110353GB-1805 – EDITION 7

[www.thomsonlinear.com](http://www.thomsonlinear.com)

** THOMSON™**  
*Linear Motion. Optimized.*

**Version History**

Edition Number	Edition Date	Reason for Revision
1	2004	First edition
2	2005-02-10	Updated with new T90 versions
3	2006-05-19	Figure numbering corrected
4	2007-04-17	Lubrication instructions updated
5	2010-05-05	T60 and T130 with 50 diameter screw added, style updated
6	2013-08-29	Data corrected in various places.
7	2018-01-29	Magnet and magnet sensor data updated

Technical changes to improve the performance of the equipment may be made without notice!

All rights reserved. No part of this work may be reproduced in any form (by printing, photocopying, microfilm or any other method) or processed, copied or distributed by electronic means without the written permission of Thomson. Printed in Sweden.

## Table of Contents

<b>1. Type designation system.....</b>	<b>4</b>
<b>2. Mounting instructions.....</b>	<b>5</b>
2.1 Installation.....	5
2.2 Connection of load.....	6
2.3 Motor flange.....	6
2.4 Feet mounting kit.....	7
2.5 Trunnion mounting kits.....	7
2.6 Mounting of worm gear type BS40 / BS50.....	8
2.7 Installation of magnetic sensors.....	8
<b>3. Service and maintenance.....</b>	<b>9</b>
3.1 General maintenance instructions.....	9
3.2 Lubrication.....	10
<b>4. Technical data.....</b>	<b>11</b>
4.1 Technical data.....	11

# 1. Type designation system

T60, T90 and T130					
1	2	3	4	5	6
T09-B	2525	M	P	045	S1
<b>1. Model</b> T06-B = T60 unit T09-B = T90 unit T13-B = T130 unit			<b>4. Type of adapter</b> N = M16 × 1,5 outside thread (only possible for T06-B25 ** and T09-B25 **) P = M16 × 2 inside thread (only possible for T09-B25 **) Q = M20 × 1,5 outside thread (only possible for T09-B32 **) R = M20 × 1,5 inside thread (only possible for T09-B32 **) S = M27 × 2 outside thread (only possible for T13-B40 **) T = M27 × 2 inside thread (only possible for T13-B40 **) U = M33 × 2 outside thread (only possible for T13-B40 ** and T13-B5010) V = M33 × 2 inside thread (only possible for T13-B40 ** and T13-B5010) X = M30 × 2 inside thread (only possible for T13-B40 **)		
<b>2. Ball screw diameter, lead and tolerance class</b> 2505 = 25 mm, 05 mm, T7 (only possible for T06-B and T09-B) 2510 = 25 mm, 10 mm, T7 (only possible for T06-B and T09-B) 2525 = 25 mm, 25 mm, T7 (only possible for T06-B and T09-B) 2550 = 25 mm, 50 mm, T7 (only possible for T06-B) 3220 = 32 mm, 20 mm, T7 (only possible for T09-B) 3232 = 32 mm, 32 mm, T7 (only possible for T09-B) 4010 = 40 mm, 10 mm, T7 (only possible for T13-B) 4020 = 40 mm, 20 mm, T7 (only possible for T13-B) 4040 = 40 mm, 40 mm, T7 (only possible for T13-B) 5010 = 50 mm, 10 mm, T7 (only possible for T13-B)			<b>5. Ordering length (L order)</b> ** = distance in cm		
<b>3. Engineering unit</b> M = metric			<b>6. Protection option<sup>1</sup></b> S1 = wash down protection		
			<sup>1</sup> Leave blank if no protection option required.		

Table 1: Type designation system

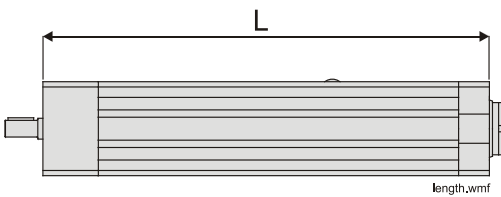
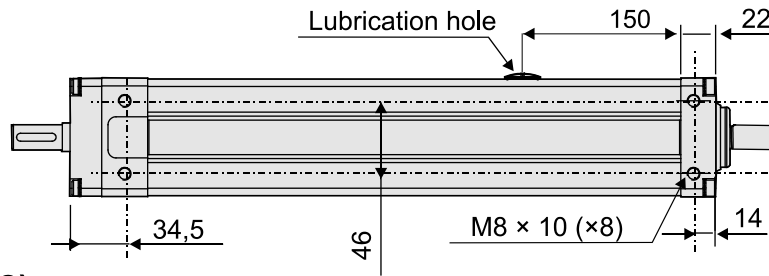
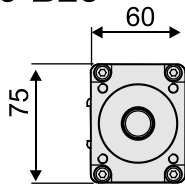


Figure 1: definition of ordering length L

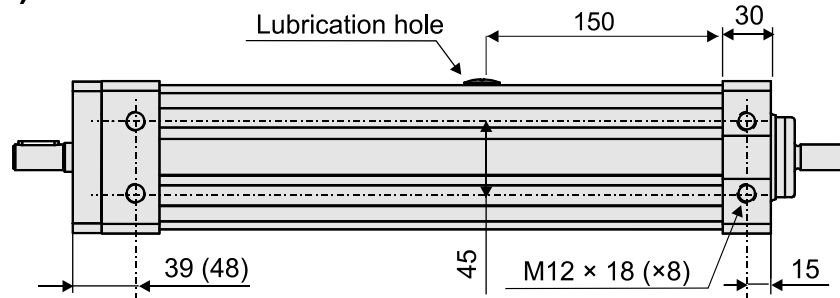
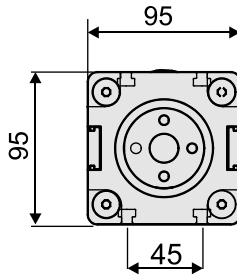
## 2. Installation

### 2.1 Mounting instructions

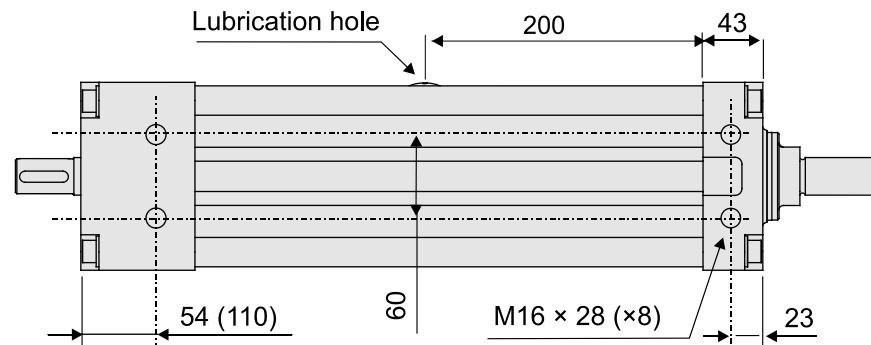
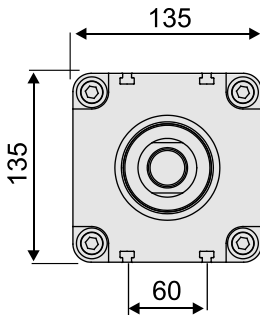
#### 1 T06-B25



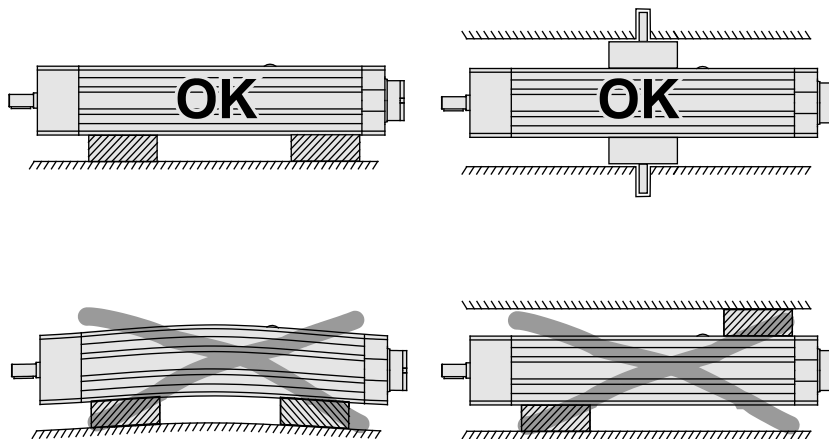
#### T09-B25 (T09-B32)



#### T13-B40 (T13-B50)



## 2

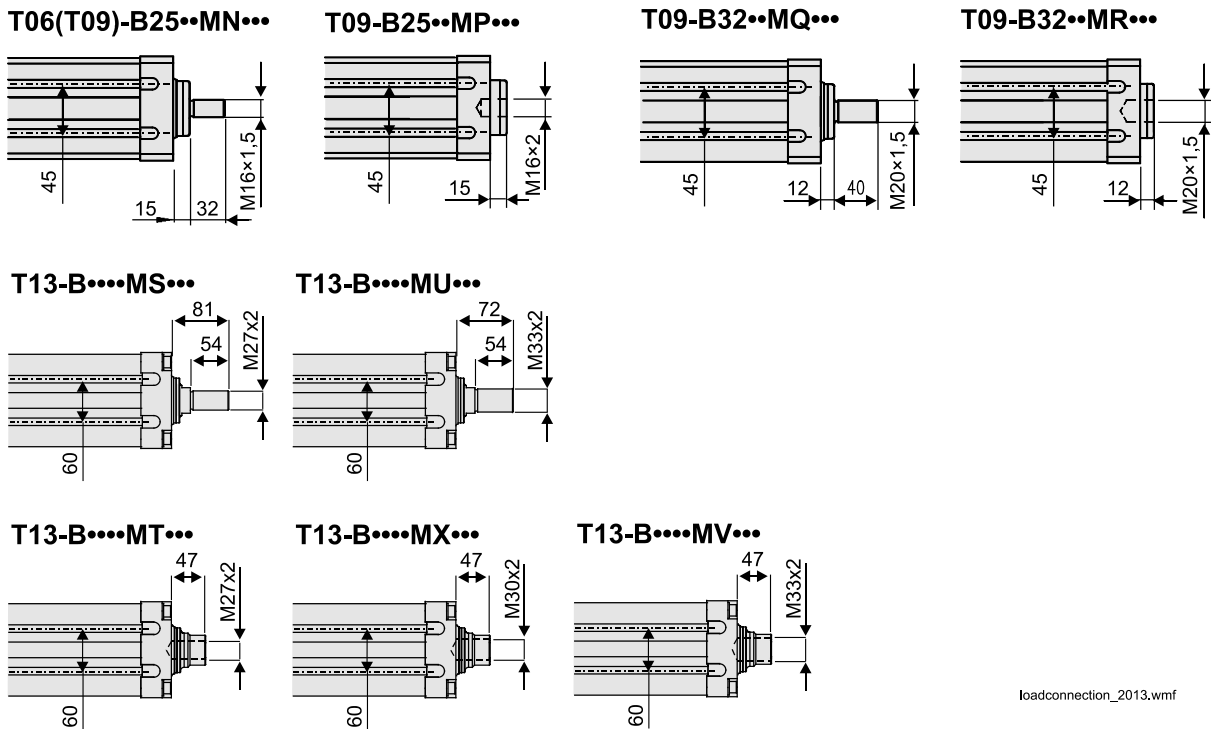


mounting\_2013.wmf

Figure 2: mounting instructions

1. The actuators have threaded holes in the front and rear housings and T-slots along the profile that can be used for mounting. Be sure to mount the actuator so that the lubrication hole is accessible.
2. Only mount the actuator to one side if not trunnion mounting is used. Do not mount the actuator so that the profile is deformed.

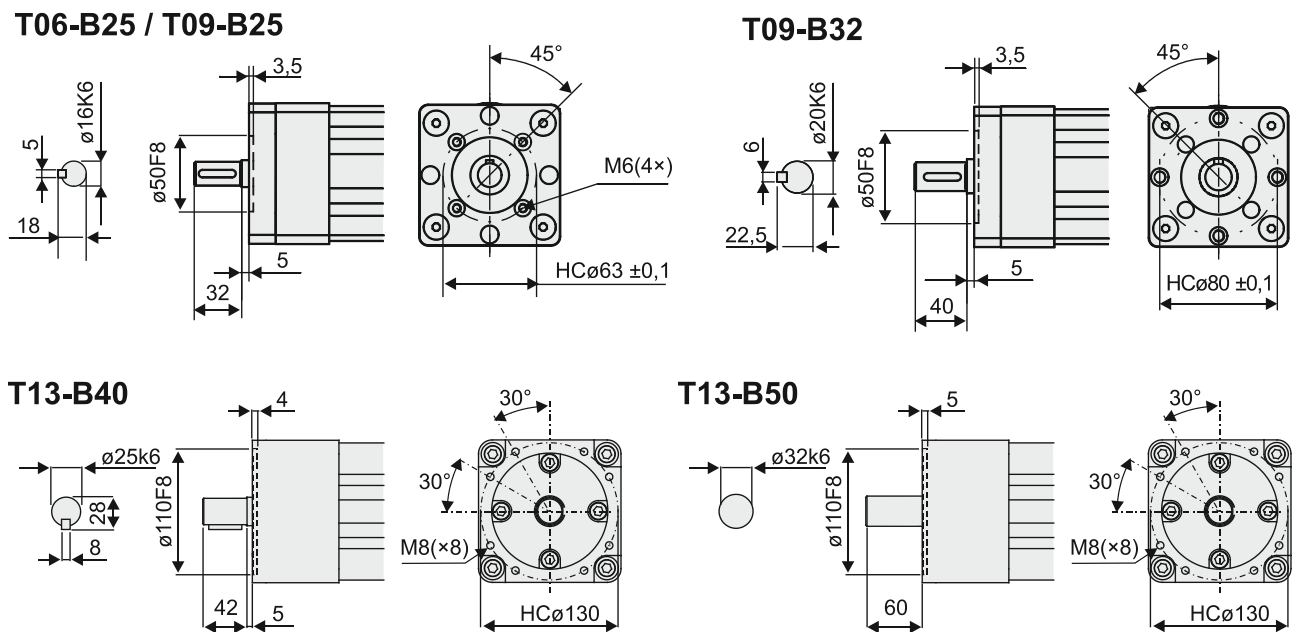
2.2 Connection of load



loadconnection\_2013.wmf

Figure 3: connection of load

2.3 Motor flange



motorflange\_2010.wmf

Figure 4: motor flanges

2.4 Feet mounting kit

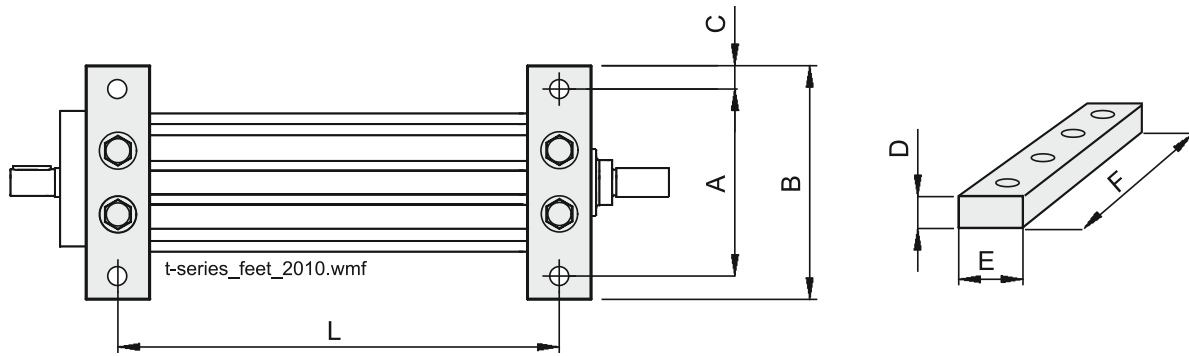


Figure 5: mounting feet

	A	B	C	D	E	F	L	Tightening torque [Nm]
<b>T06-B25</b>	- on request -							
<b>T09-B25</b>	125	155	15	20	40	155	Smax + 141	78
<b>T09-B32</b>	125	155	15	20	40	155	Smax + 162	78
<b>T13-B40</b>	176	220	22	30	60	220	Smax + 216	220
<b>T13-B50</b>	176	220	22	30	60	220	Smax + 292	220

Table 2: mounting feet dimensions

2.5 Trunnion mounting kits

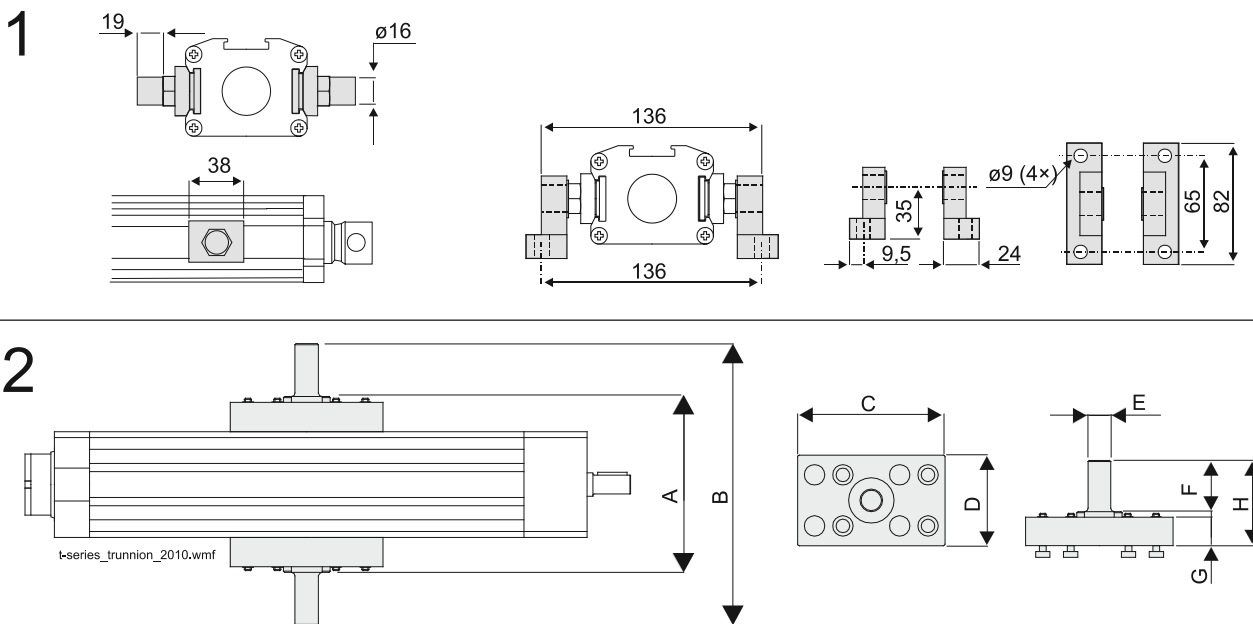


Figure 6: trunnion

	A	B	C	D	E	F	G	H	Tightening torque [Nm]
<b>T09-B</b>	150	240	130	80	∅20 f8	45	25	75	11
<b>T13-B</b>	316	210	180	110	∅35 f8	63	30	93	45

Table 3: trunnion dimensions

1. Trunnion shafts and trunnion brackets for T60.
2. Trunnion kit for T90 and T130.

Make sure to mount the bearings on the trunnion shafts as close to the unit as possible!

2.6 Mounting of worm gear type BS40 / BS50

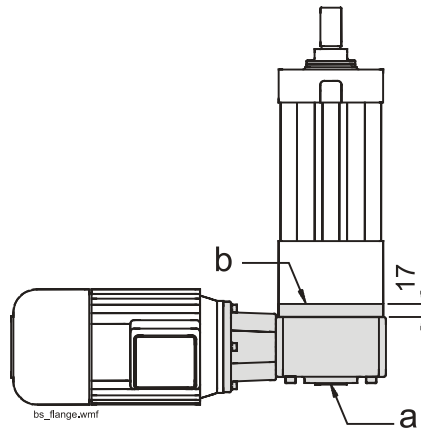


Figure 7: flange for worm gear type BS40 / BS50

To be able to mount a worm gear (a) of type BS40 (for T90 only) or BS50 (for T130 only) an intermediate flange (b) must be used. There is no flange available for T60.

2.7 Installation of magnetic sensors

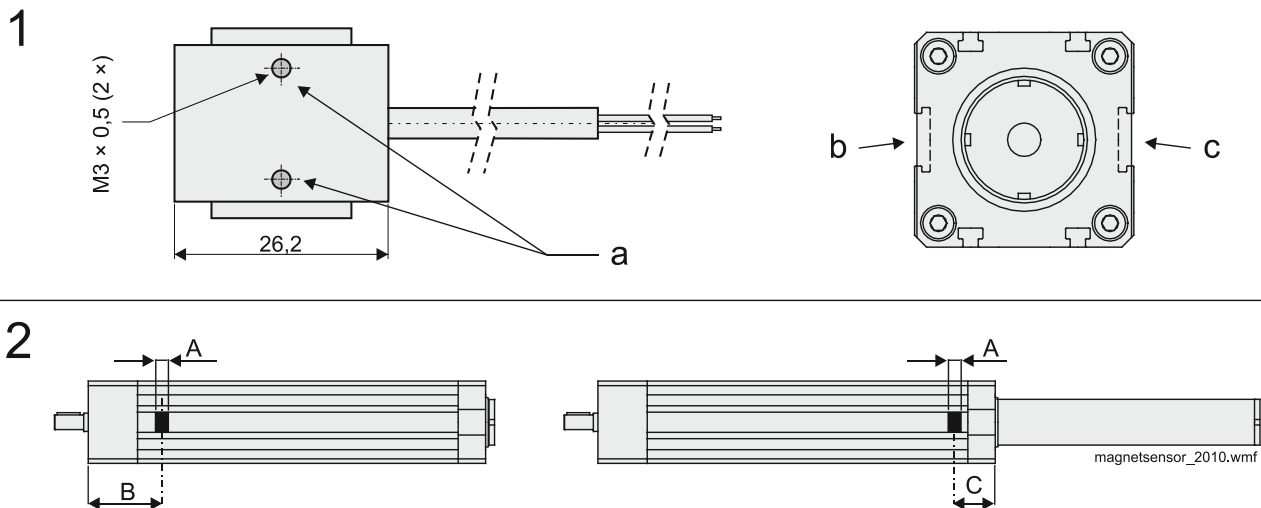


Figure 8: magnetic sensor

1. The sensors are fixed in the desired position with set screws (a) in the T-slot. On T60 units there is only one T-slot for sensors (b) while T90 and T130 has two (b and c).

2. Magnet width (A) and magnet position (B) for the actuator at fully retracted (left panel) and fully extended (right panel) positions, respectively. The positioning of the sensor highly depends on the application since traversing speed, load, deceleration and the motor/drive combination will all influence how quickly the unit will stop after the sensor sent the signal. Thus, the sensor must be positioned accordingly. For safety, we recommend that minimum 25 mm is added for the “B” and “C” values in the table below to prevent the unit hitting the mechanical ends, (e.g. 55 + 25 and 118 + 25).

	A	B	C
<b>T06-B2505, T06-B2525 (T06-B2510, T06-B2550)</b>	5	55	118 (140)
<b>T09-B25</b>	8	141	68
<b>T09-B32</b>	8	82	162
<b>T13-B40</b>	24	194	84
<b>T13-B50</b>	24	324	100

Table 4: magnet positions



### 3. Service and maintenance

#### 3.1 General maintenance instructions

- The customer can perform the service and maintenance described in this manual. Other service ought to be performed by authorised personnel / service workshop.
  - Follow the recommended service intervals. Replace defective parts immediately. Only use parts of the same make and type as original. Ordering data can be found in the spare part lists supplied with the unit. Also state the manufacturing number of the unit (embossed in the drive end).
  - T90 and T130 is not self-braking. This means that the load and the extension tube can move if the driving force is disconnected, or if the motor, gears or brakes are detached during service. This is even more important for vertical applications. Ensure therefore that the load is secured before service is begun.
  - Check the unit in connection to lubrication. Be attentive towards the wear and function of the rod seal, the magnetic sensors, limit switches and the mounting of them. Check all connections to the support and the rod. Also, be attentive towards a changed level of noise. Replace, repair or adjust.
  - Keep the actuator clean. Wipe it off as required, particularly the rod. If cleaning fluid is required, use small amounts and see to it that none gets into the actuator. Do not use strong cleaning agents. Dry it fully.
  - **Never** mix different types of oils / lubricants!
-

### 3.2 Lubrication of the ball screw

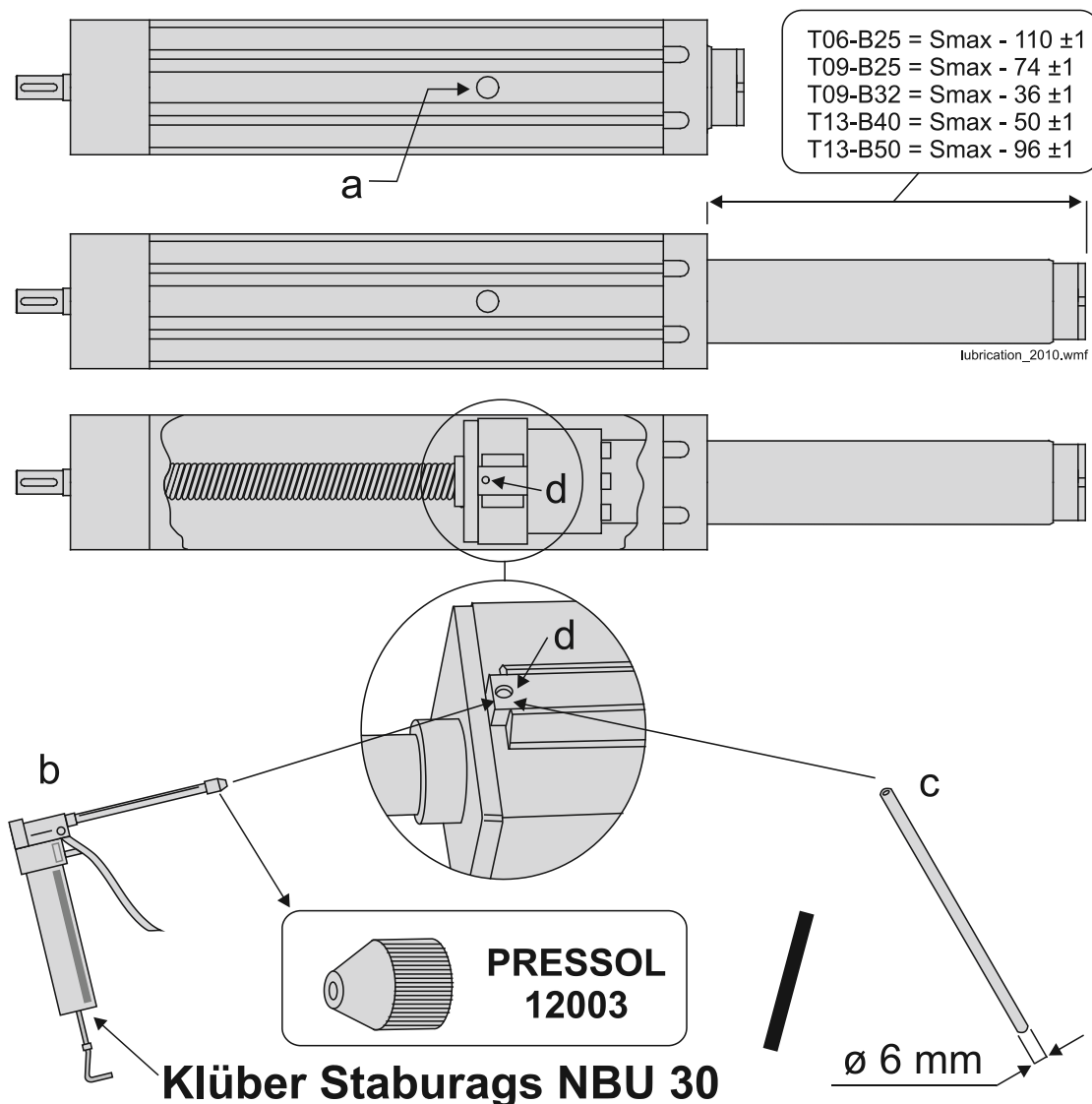


Figure 9: lubrication of the ball screw

1. The ball screw is lubricated every 600 hours of operation or every 6:th month depending on whichever comes first.
2. Recommended lubricant is Klüber Staburags NBU 30.
3. Remove the plastic plug covering the lubrication hole (a).
4. Run the extension tube to the indicated position for the actuator model in question. For T06-B25 the lubrication position is at the maximum stroke length ( $S_{max}$ ) of the unit – 110 mm, for T09-B25 it is at  $S_{max}$  – 74 mm, for T09-B32 at  $S_{max}$  – 36, for T13-B40 at  $S_{max}$  – 50 mm and for T13-B50 at  $S_{max}$  – 96 mm.
5. Apply 20 ml of lubricant to the ball nut by sticking a grease gun nipple (b) or a tube (c), through which the lubricant can be applied, straight in to the lubrication hole in the profile so that it enters the lubrication hole (d) of the ball nut assembly. Recommended type of grease gun nipple is Pressol pointed coupler M10 x 1 female article no: 12003 or equivalent. If a tube is used the recommended tube diameter is 6 mm.
6. Pull out the grease gun nipple / tube and put back the plastic plug.

## 4. Technical data

### 4.1 Technical data

		T06-B2505M ••••	T06-B2510M ••••	T06-B2525M ••••
Max. speed	[m/s]	0,25	0,66	1,66
Max. radial load	Fr [N]	100	100	100
Max. axial load	Fx [N]			
static		15 000	15 000	15 000
dynamic		10 000	10 000	10 000
Repeatability	[mm]	± 0,05	± 0,05	± 0,05
Max. input speed	[rpm]	3000	4000	4000
Weight	[kg]	5 + (L <sup>A</sup> × 9,5)	5 + (L <sup>A</sup> × 9,5)	5 + (L <sup>A</sup> × 9,5)
Ambient temperature	[°C]	-20 – +70	-20 – +70	-20 – +70
Linear move / shaft turn	[mm]	5	10	25

		T06-B2550M ••••	T09-B2510M ••••	T09-B2525M ••••
Max. speed	[m/s]	2,5	0,8	1,5
Max. radial load	Fr [N]	100	300	300
Max. axial load	Fx [N]			
static		15 000	15 000	15 000
dynamic		10 000	10 000	10 000
Repeatability	[mm]	± 0,05	± 0,05	± 0,05
Max. input speed	[rpm]	3000	4800	4800
Weight	[kg]	5 + (L <sup>A</sup> × 9,5)	5 + (L <sup>A</sup> × 16,2)	5 + (L <sup>A</sup> × 16,2)
Ambient temperature	[°C]	-20 – +70	-20 – +70	-20 – +70
Linear move / shaft turn	[mm]	50	10	25

		T09-B3220M ••••	T09-B3232M ••••	T13-B4010M ••••
Max. speed	[m/s]	1,25	2	0,4
Max. radial load	Fr [N]	500	500	800
Max. axial load	Fx [N]			
static		25 000	25 000	45 000
dynamic		20 000	20 000	40 000
Repeatability	[mm]	± 0,05	± 0,05	± 0,05
Max. input speed	[rpm]	3750	3750	2500
Weight	[kg]	6,5 + (L <sup>A</sup> × 18)	6,5 + (L <sup>A</sup> × 18)	18,5 + (30 × (L <sup>A</sup> – 0,239))
Ambient temperature	[°C]	-20 – +70	-20 – +70	-20 – +70
Linear move / shaft turn	[mm]	20	32	10

		T13-B4020M ••••	T13-B4040M ••••	T13-B5010M ••••
Max. speed	[m/s]	1	2	0,33
Max. radial load	Fr [N]	800	800	800
Max. axial load	Fx [N]			
static		45 000	45 000	80 000
dynamic		35 000	15 000	60 000
Repeatability	[mm]	± 0,05	± 0,05	± 0,05
Max. input speed	[rpm]	3000	3000	2000
Weight	[kg]	18,5 + (30 × (L <sup>A</sup> – 0,239))	18,5 + (30 × (L <sup>A</sup> – 0,239))	31,8 + (L <sup>A</sup> × 35)
Ambient temperature	[°C]	-20 – +70	-20 – +70	-20 – +70
Linear move / shaft turn	[mm]	20	40	50

<sup>A</sup> L in metres, see figure 1 for definition of L

Table 5: technical data

**EUROPE****United Kingdom**

Thomson  
Office 9, The Barns  
Caddsdow Business Park  
Bideford, Devon, EX39 3BT  
Phone: +44 (0) 1271 334 500  
E-mail: sales.uk@thomsonlinear.com

**Germany**

Thomson  
Nürtinger Straße 70  
72649 Wolfschlügen  
Phone: +49 (0) 7022 504 403  
Fax: +49 (0) 7022 504 405  
E-mail: sales.germany@thomsonlinear.com

**France**

Thomson  
Phone: +33 (0) 243 50 03 30  
Fax: +33 (0) 243 50 03 39  
E-mail: sales.france@thomsonlinear.com

**Italy**

Thomson  
Largo Brughetti  
20030 Bovisio Masciago  
Phone: +39 0362 594260  
Fax: +39 0362 594263  
E-mail: info@thomsonlinear.it

**Spain**

Thomson  
Rbla Badal, 29-31 7th, 1st  
08014 Barcelona  
Phone: +34 (0) 9329 80278  
Fax: + 34 (0) 9329 80278  
E-mail: sales.esm@thomsonlinear.com

**Sweden**

Thomson  
Estridsväg 10  
29109 Kristianstad  
Phone: +46 (0) 44 24 67 00  
Fax: +46 (0) 44 24 40 85  
E-mail: sales.scandinavia@thomsonlinear.com

**SOUTH AMERICA****Brazil**

Thomson  
Av. Tamboré, 1077  
Barueri, SP – 06460-000  
Phone: +55 (11) 3616-0191  
Fax: +55 (11) 3611-1982  
E-mail: sales.brasil@thomsonlinear.com

**USA, CANADA and MEXICO**

Thomson  
203A West Rock Road  
Radford, VA 24141, USA  
Phone: 1-540-633-3549  
Fax: 1-540-633-0294  
E-mail: thomson@thomsonlinear.com  
Literature: literature.thomsonlinear.com

**ASIA****Asia Pacific**

E-mail: sales.apac@thomsonlinear.com

**China**

Thomson  
Rm 2205, Scitech Tower  
22 Jianguomen Wai Street  
Beijing 100004  
Phone: +86 400 6661 802  
Fax: +86 10 6515 0263  
E-mail: sales.china@thomsonlinear.com

**India**

Thomson  
c/o CNRG Energy India Pvt. Ltd.  
Unit No. FF A 07  
Art Guild House, A Wing, 1st Floor, L.B.S Marg  
Kurla – West, Mumbai – 400070 India  
Phone: +0091 22 6249 5043  
Email: sales.india@thomsonlinear.com

**Japan**

Thomson  
Minami-Kaneden 2-12-23, Suita  
Osaka 564-0044  
Phone: +81-6-6386-8001  
Fax: +81-6-6386-5022  
E-mail: csjapan@scgap.com

**South Korea**

Thomson ROA  
704 ASEM Tower (Samsung-dong),  
517 Yeongdong-daero,  
Gangnam-gu, Seoul, S. Korea (06164)  
Phone: +82 2 6917 5048/5049  
Fax: +82 2 528 1456/1457  
E-mail: sales.korea@thomsonlinear.com