

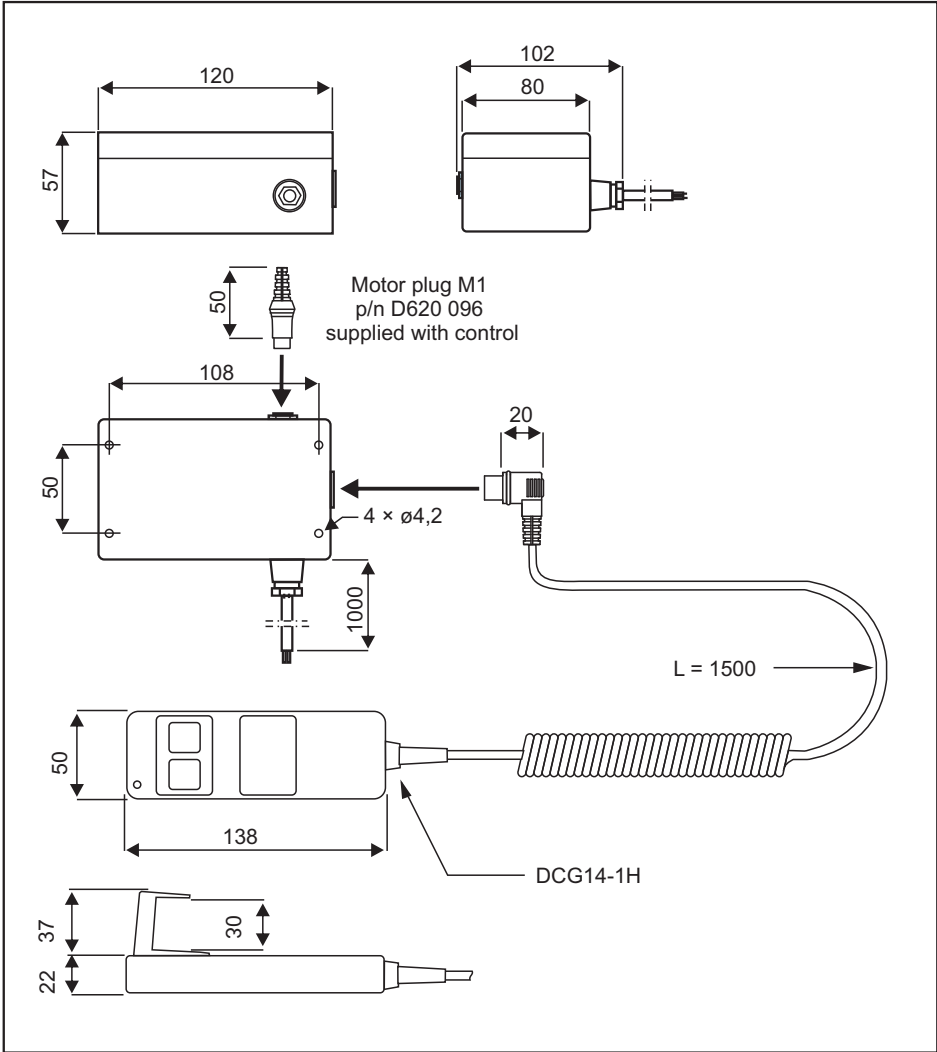
Installation Manual for Actuator Control AC-247 ELS



www.thomsonlinear.com

THOMSON[®]
Linear Motion. Optimized.™

Basic mounting and dimensions



Environment



Min. -20 °C



Max. + 60 °C

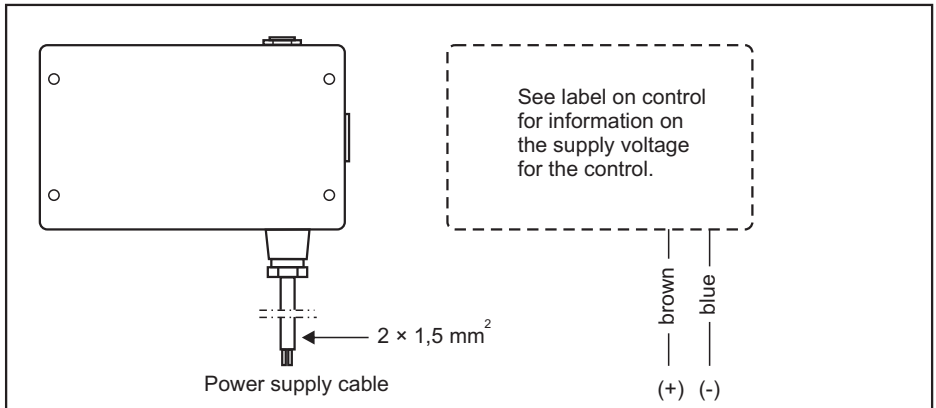


IP54

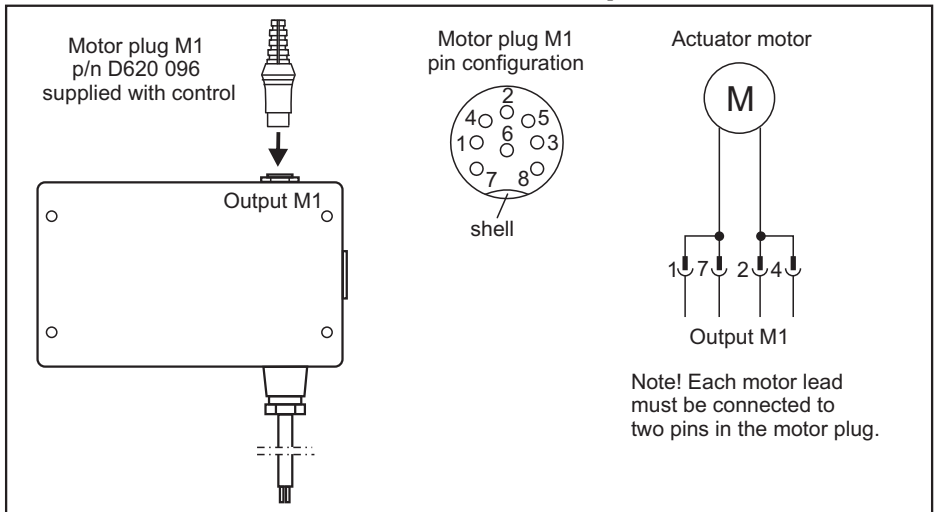
CAUTION!

Always turn the power off before working with the control or the wiring.

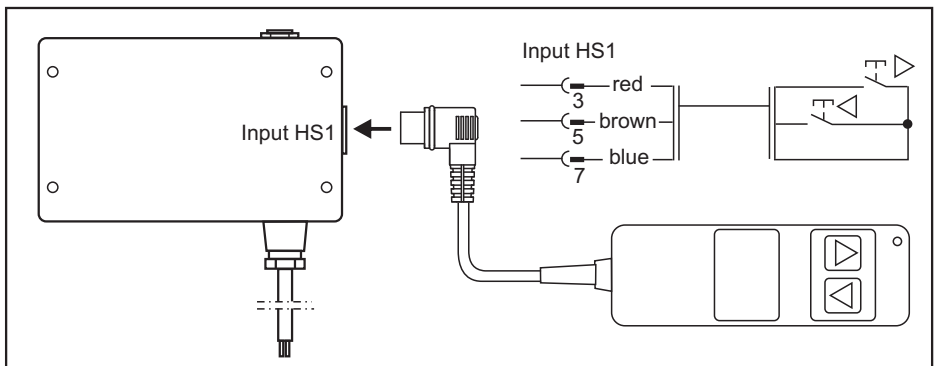
Connection to power supply cable



Connection to actuator motor output M1



Connection to hand control input HS1



Technical data

	D604110*	D604111*	D604112*
Supply voltage ($\pm 10\%$)	12 or 24 Vdc	12 Vdc	24 Vdc
Output voltage	12 or 24 Vdc	12 Vdc	24 Vdc
Output current, max. @ 12 Vdc output voltage @ 24 Vdc output voltage	10 A 5 A	12 A –	– 8 A
Weight of control	0,3 kg	0,3 kg	0,3 kg
Power supply cable length	1 m	1 m	1 m
Operating temperature limits	-20 – +60 °C	-20 – +60 °C	-20 – +60 °C
Max. duty cycle @ 25 °C	10 %	10 %	10 %
Protection class	IP54	IP54	IP54
Electronic Limit Switches (ELS) **	yes	yes	yes
Limit switch inputs	no	no	no
Hand control included	DCG14-1H	DCG14-1H	DCG14-1H
	HAND CONTROL DCG14-1H		
Weight	0,4 kg		
Cable length	1,5 m		

* See label on the control for information on the type of control.

** Electronic Limit Switches is a function that monitors the current. When the current exceeds a pre-set value the motor is stopped from moving in that direction.

CAUTION!

Make sure to always turn the power off before working on the actuator or the wiring.

TOLLO LINEAR AB

PRINTED IN SWEDEN © 2014 DW110550gb-1408
Printed on recycled paper

Box 9053, SE-291 09 Kristianstad, Sweden
Tel. +46 (0)44-246700 Fax. +46 (0)44-244085